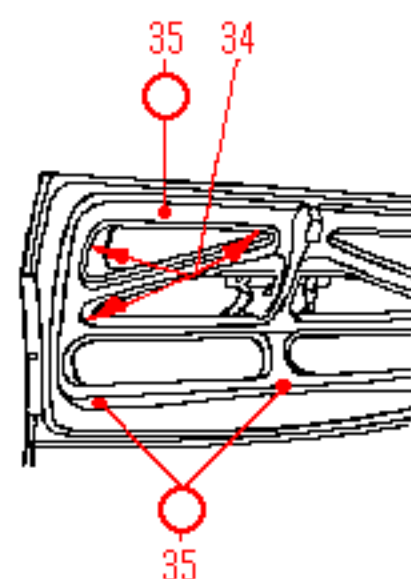
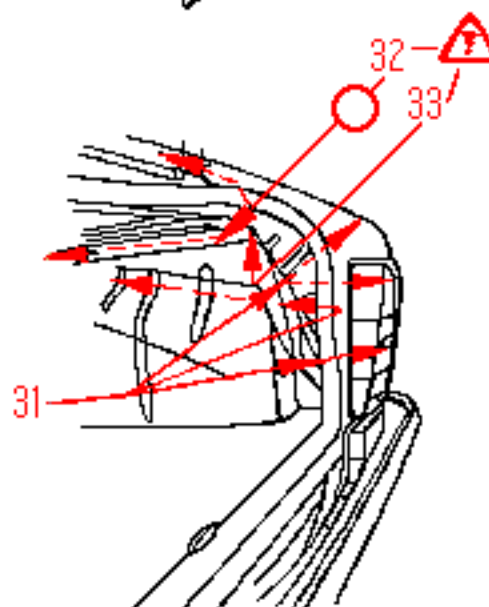
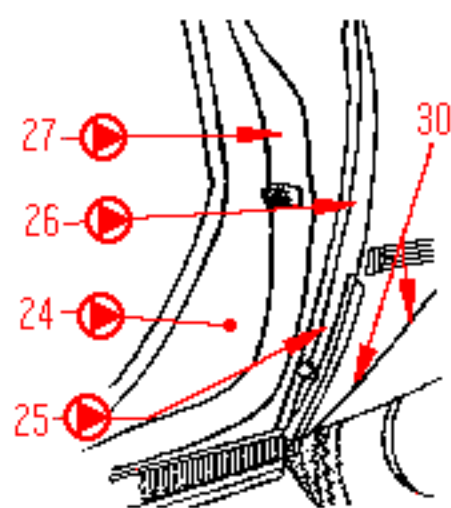
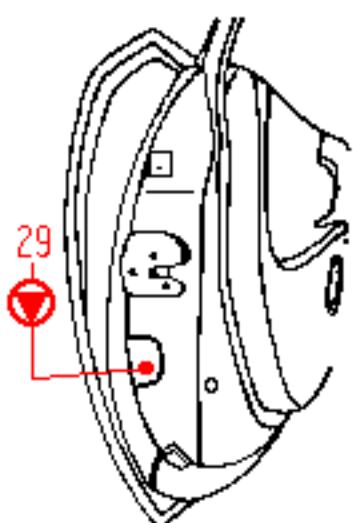
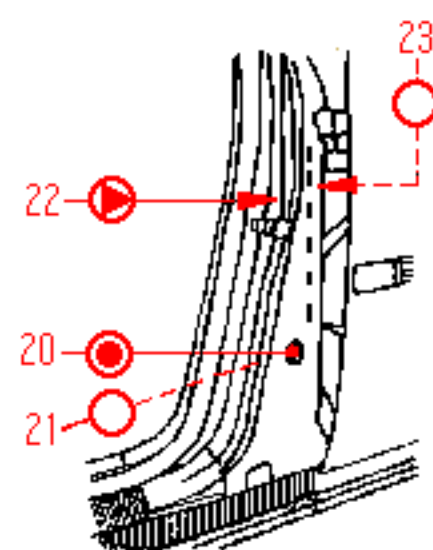
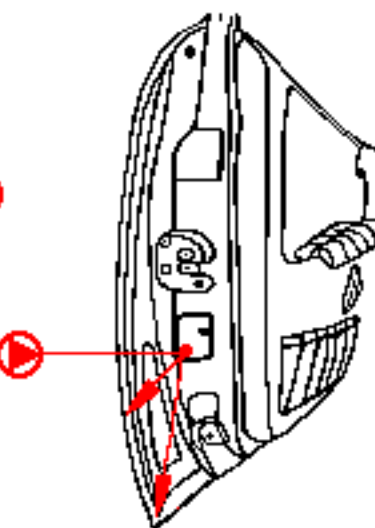
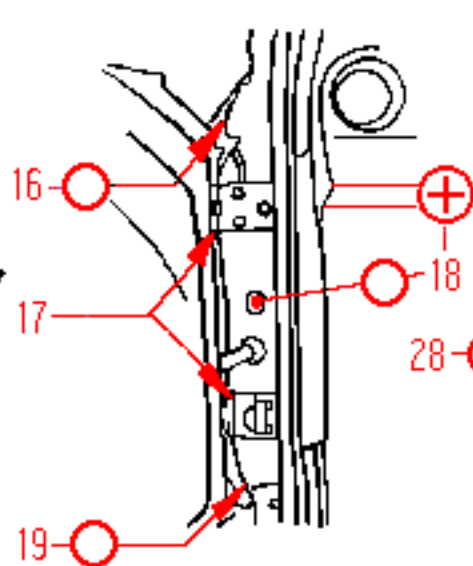
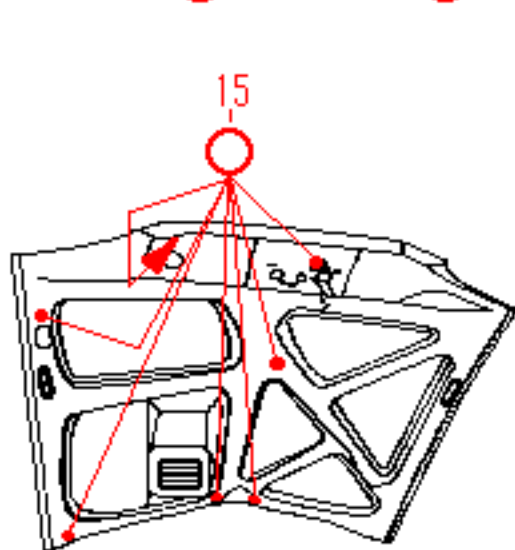
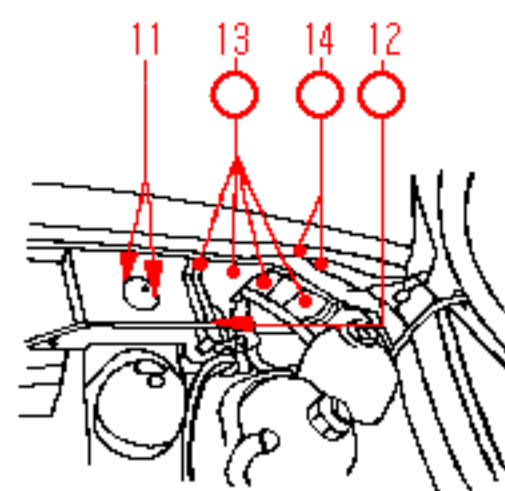
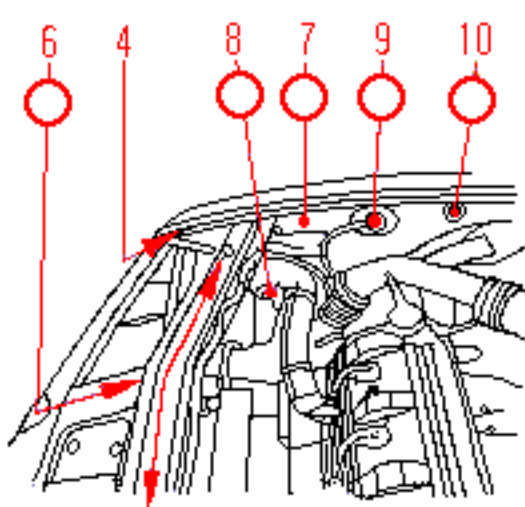
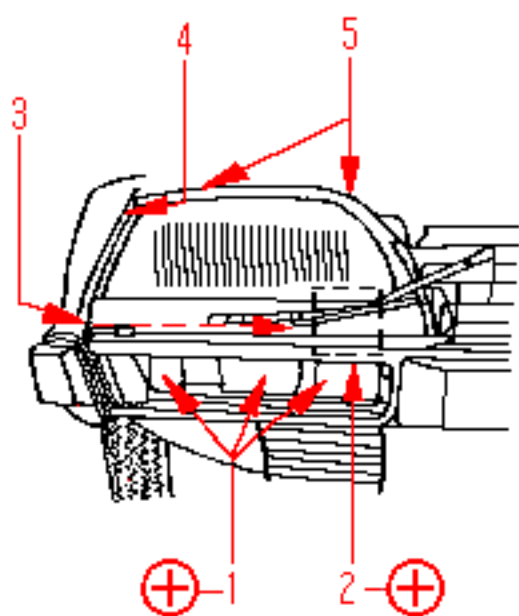
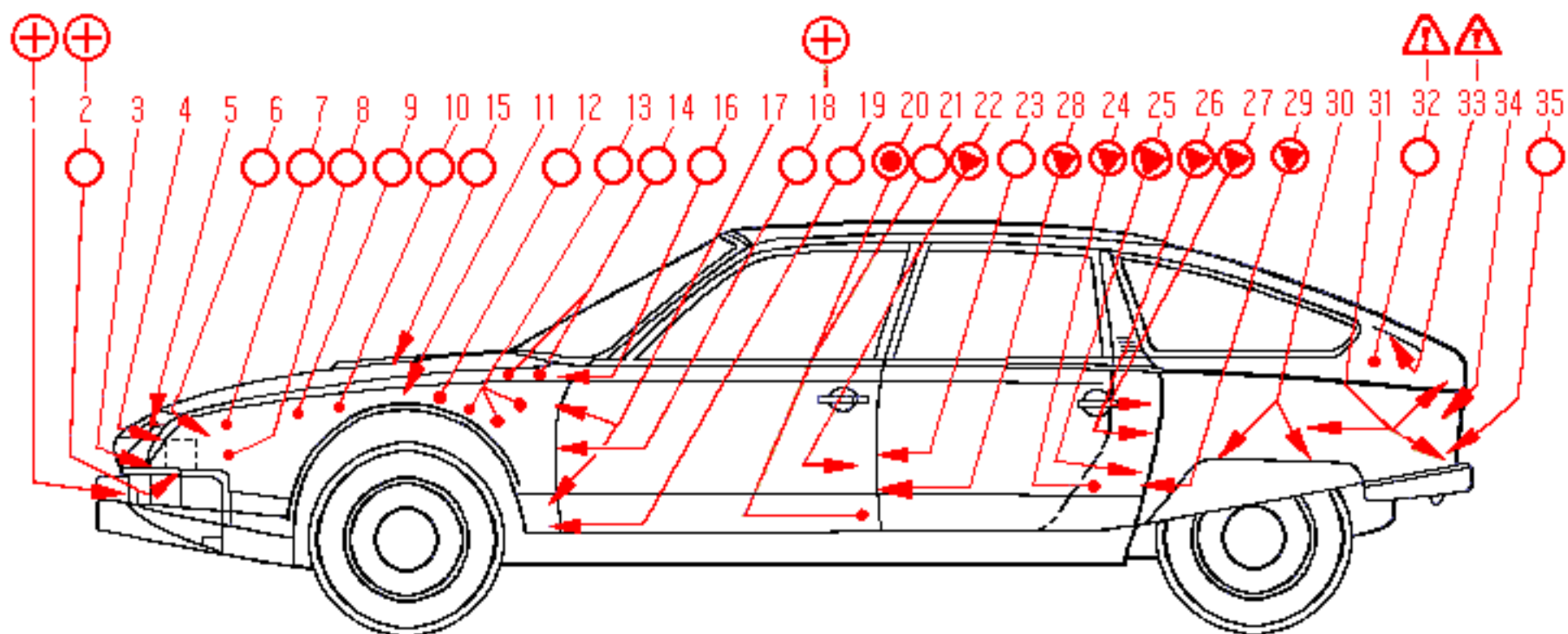







Dinitrol/Dinol

Citroen CX



Dinitrol/Dinol

Citroen CX

-  Dismantle
-  Use existing hole
-  Use existing hole, and plug it afterwards
-  Drill hole
-  Drill hole, and plug it afterwards

Spezialanstrich

